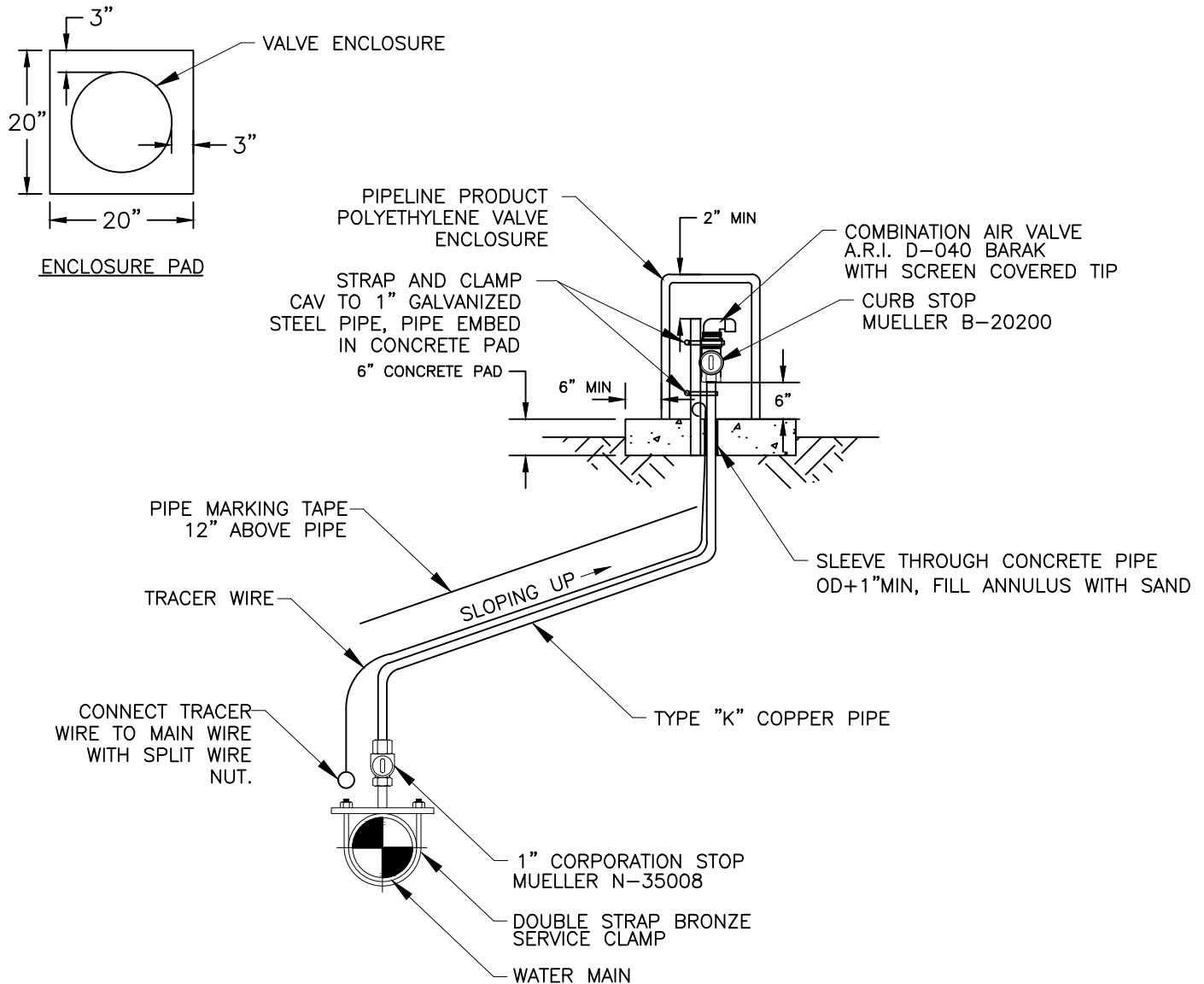


COMBINATION AIR VALVE SIZE TABLE				
WATER MAIN SIZE	CAV SIZE	CURB STOP SIZE	ENCLOSURE SIZE	PAD SIZE
SMALLER THAN 12"Ø	1" CAV	1"	24"H x 14"DIA	20" x 20"
12"Ø OR LARGER	2" CAV	2"	24"H x 14"DIA	20" x 20"



NOTES

1. ALL FITTINGS AND NIPPLES TO BE BRASS OR COPPER.
2. CAV LOCATIONS SHOWN ON PLAN ARE APPROXIMATE. ALL CAV ASSEMBLIES SHALL BE LOCATED OUTSIDE OF TRAFFIC AREAS INCLUDING STREETS, DRIVEWAYS AND SIDEWALKS. FINAL LOCATIONS SHALL BE APPROVED BY ENGINEER PRIOR TO CONSTRUCTION.
3. COAT SERVICE CLAMP AND CORPORATION STOP WITH BITUMASTIC.
4. ALL COMPONENTS TO BE LEAD FREE CONDUCTIVE COMPRESSION CONNECTIONS.
5. COPPER PIPE SHALL BE ONE CONTINUOUS PIPE WITH NO ELBOWS OR JOINTS.
6. EXTEND TRACER WIRE AT LEAST 2' ABOVE BASE OF ENCLOSURE



City of San Bruno
Standard Detail

COMBINATION AIR VALVE

DATE: OCT 2020

DRAWN BY: JT

CITY ENGINEER:

Haewon Ritchie

APPROVED BY: HAE WON RITCHIE R.C.E. C69532

W-10

DETAIL NO: