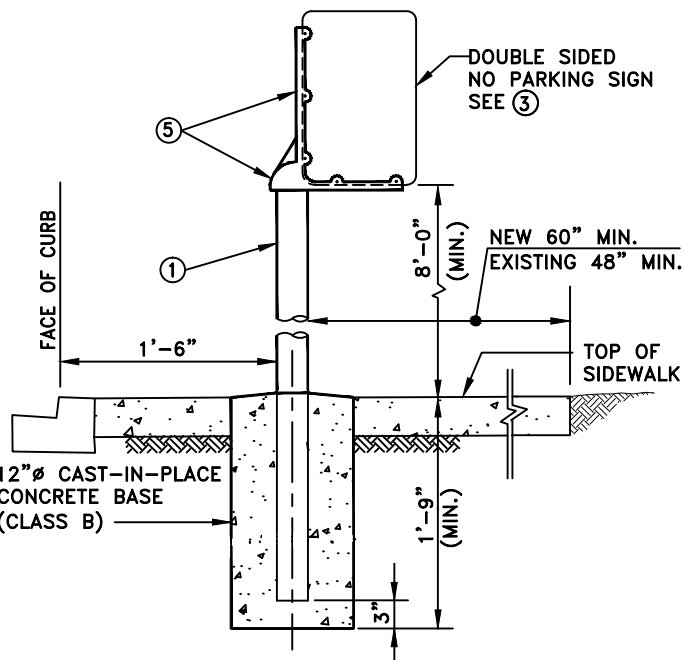
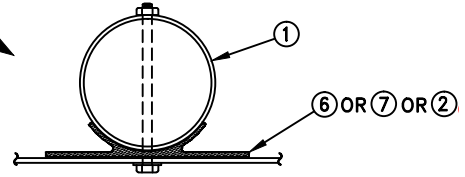


DETAIL A



DETAIL B



LEGEND:

- ① 2" I.D. GALVANIZED STEEL PIPE, SCHEDULE 40.
- ② TAPCO VC252 SINGLE SIDED U - BOLT SIGN BRACKET WITH THEFT PROOF CAP SCREW
- ③ 3M DIAMOND GRADE DG3 REFLECTIVE SHEETING OR APPROVED EQUAL. ALL PARKING SIGNS MOUNTED ON LIGHT POLES TO BE DOUBLE SIDED WITH BANDING MOUNT, BAND TO BE TAPCO PART NO. C206/3930-SS. BUCKLE TO BE TAPCO PART NO. C256/3465-SS OR APPROVED EQUAL. USE 2 BUCKLES PER SIGN.
- ④ SIGN SADDLE, TAPCO NO.M2G-FUB OR APPROVED EQUAL.
- ⑤ TAPCO ALUMINUM L-BRACKET NO. M2G-2LBT-FS OR APPROVED EQUAL.
- ⑥ TAPCO CLAMP NO. M2G-S2S WITH 5/16"Øx3" LONG BOLTS , 5/16" TUFF TORQ HEX NUT AND 1 1/2"Ø WASHER OR APPROVED EQUAL.
- ⑦ TAPCO CLAMP NO. M2G-S2S WITH 5/16"Øx3" LONG BOLTS , 5/16" TUFF TORQ HEX NUT AND 7/8"Ø WASHER OR APPROVED EQUAL.
- ⑧ DIAMOND GRADE DG3 REFLECTIVE R1-1 30"x30"

NOTE:

- A. PRIOR TO ORDERING THE STREET SIGNS, VERIFY WITH THE CITY ENGINEER THE EXACT LOCATION AND SIZE. MINIMUM 60" NEW/48" EXISTING PEDESTRIAN ACCESS TO BE MAINTAINED WHERE FEASIBLE.
- B. SINGLE SHEET ALUMINUM SIGNS SHALL BE FABRICATED FROM 0.080 INCH THICK ALUMINUM ALLOY 6061-T6, 5052-H38, OR APPROVED EQUAL.
- C. SINGLE SHEET ALUMINUM SIGNS SHALL NOT HAVE A VERTICAL SPLICE IN THE SHEET ALUMINUM.
- D. ALUMINUM SHEETS SHALL BE DEGREASED, ETCHED, AND FREE OF WHITE RUST.
- E. SIGN SHAPES, HOLE PUNCHES, AND CORNER RADII SHALL MEET CALIFORNIA DEPARTMENT OF TRANSPORTATION STANDARDS.
- F. SIGNS SHALL BE FABRICATED WITH 3M DIAMOND GRADE DG3 REFLECTIVE (ASTM TYPE XI SHEETING).
- G. ALL NEW SIGNS SHALL HAVE 3M PREMIUM PROTECTIVE OVERLAY FILM (GRAFFITI FILM).



City of San Bruno
Standard Detail

TRAFFIC SIGNS FABRICATION
AND INSTALLATION

DATE: 2021

DRAWN BY:

CITY ENGINEER:

Hae Won Ritchie

ST-08

APPROVED BY:

HAE WON RITCHIE

R.C.E. C69532

DETAIL NO: